



iceni Windows, 46 Stepfield Rd, Witham, Essex
01376 519279 - orders@iceniwindows.co.uk

QUOTE
 ORDER

Invoice name and address

Tel: _____
Email: _____

Deliver to: Invoice address Site Collection

page _____ of _____

Please select a delivery option. We can't guarantee delivery will be on the same day if site addresses are advised after we have confirmed the delivery date.

Delivery address: _____

Reference: _____
Date: _____
Date required: _____

ALUK FOLD & GLIDE BIFOLD DOOR 70MM ALUMINIUM

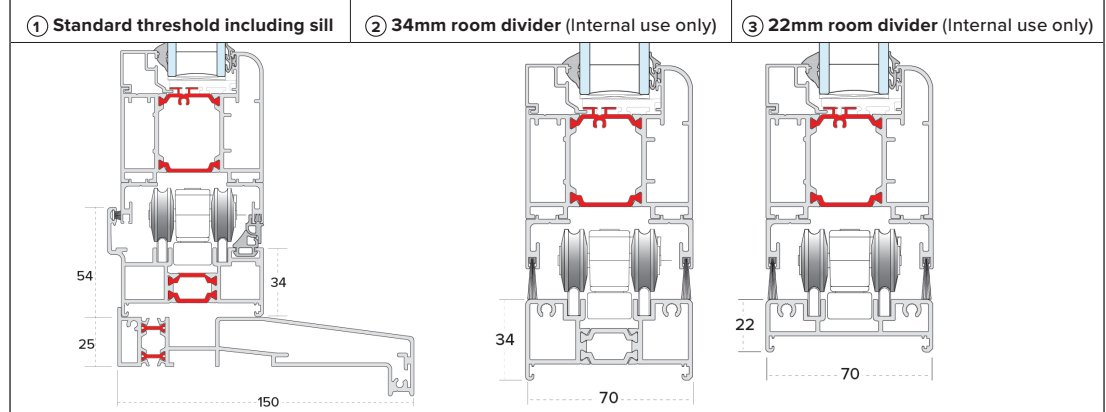
WWW.ICENIWINDOWS.CO.UK

M Master door **r** Slave door handle **↔** Direction of door **⚠** Viewed From Outside **✓** Tick to select

| Glazing | Colour | Bead type | Gasket colour | Main handle colour |
|--|--|--|--|---|
| Glazed <input type="checkbox"/> Unglazed | <input type="checkbox"/> White 9910HG <input type="checkbox"/> Anthracite 7016M <input type="checkbox"/> Black 9005M <input type="checkbox"/> RAL | <input type="checkbox"/> White inside <input type="checkbox"/> White inside | <input type="checkbox"/> Black in & out <input type="checkbox"/> Bk out/coloured in <input type="checkbox"/> Coloured in & out | <input type="checkbox"/> Anthracite grey <input type="checkbox"/> Antique black <input type="checkbox"/> Black <input type="checkbox"/> Bronze <input type="checkbox"/> Chrome <input type="checkbox"/> Copper <input type="checkbox"/> Gold <input type="checkbox"/> Graphite <input type="checkbox"/> Satin <input type="checkbox"/> White |
| 28mm Double <input type="checkbox"/> 40mm Triple | <input type="checkbox"/> White inside | <input type="checkbox"/> Square <input type="checkbox"/> Flat/bevel | | |

| ITEM NO. | OVERALL SIZE inc sill, etc | | QTY | Total sill length | SILL TYPE | | DRAINAGE | | Add-on 20 or 40mm | | | Trickle vent in head | |
|----------|----------------------------|--------|-----|-------------------|----------------------------|---------------------------|----------------------------|-----------------------|-------------------|------|-------|----------------------|-------------------------------|
| | WIDTH | HEIGHT | | | none | 190 | FACE | top | bott | left | right | | |
| 1 | | | | | <input type="radio"/> none | <input type="radio"/> 150 | <input type="radio"/> Base | <input type="radio"/> | | | | | <input type="checkbox"/> Qty: |

| Main handle | Slave handle | Cylinder | Opening | Threshold | Glazing |
|---|---|--|---|---|--|
| Lever / Lever <input type="checkbox"/> Blank plate <input type="checkbox"/> Swan lever | Pendulum <input type="checkbox"/> Lock pendulum | <input type="checkbox"/> Thumbturn (master door sash only) | Open out <input type="checkbox"/> Open in | Standard ① <input type="checkbox"/> 34mm Aluminium ② <input type="checkbox"/> 22mm Aluminium ③ | Clear (Double 1.8 U Value. Triple 1.4 U value) <input type="checkbox"/> Add 1 sheet of laminate to each door |



Assembly: Sash & frame fully assembled Sash assembled, frame broken down

⚠ WARNING:
Orders will be processed and automatically manufactured after **24 hours**
ALL BOLD options are processed automatically

Frame construction will be of AluK BSF70 aluminium profiles, round sash, mitred joints, internally glazed with wedges gasket and butt hinges. Locks: 2 hook, 1 deadbolt, security cylinder. Fab & Fix furniture, slave handle, magnet and gasket will be colour matched to the colour of sash section. black hinges except where white gaskets are used. **Max sash size:** 1200w for 2200h, 1100w for 2400h, 850 for 2600h, 650w for 2800h, 500w for 3000h or 30kg. **Max frame size:** 6450 wide, larger widths are available including a mechanical joint. **Finish:** SG – Semi gloss; HG – high gloss; M – matt. **Glazing beads:** As std 28mm or 40mm only. **Double glazed glass =** Total+ / Low Iron / Thermo Bar 1.8u. Triple glazed = 2 x Total+ / Low Iron / Thermo Bar 1.4u.

Important: Before ordering please ensure that you are familiar with our products and specifications. We will not accept responsibility for want of knowledge in the event that items do not meet with your requirements. By ordering these products you are acknowledging our standard terms and conditions of sale.

