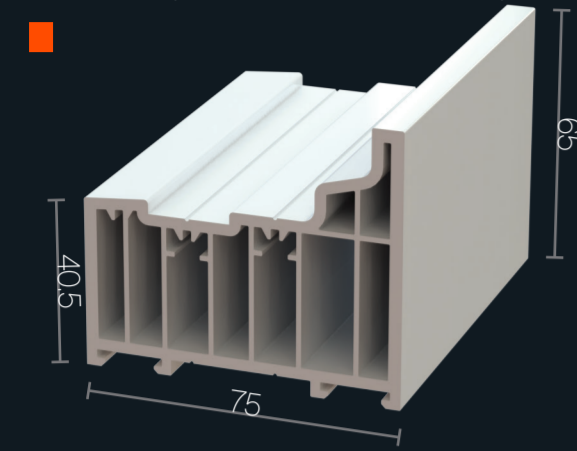
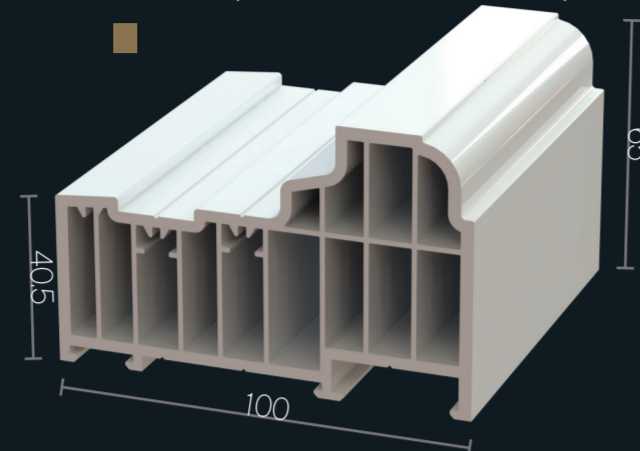


## Frames

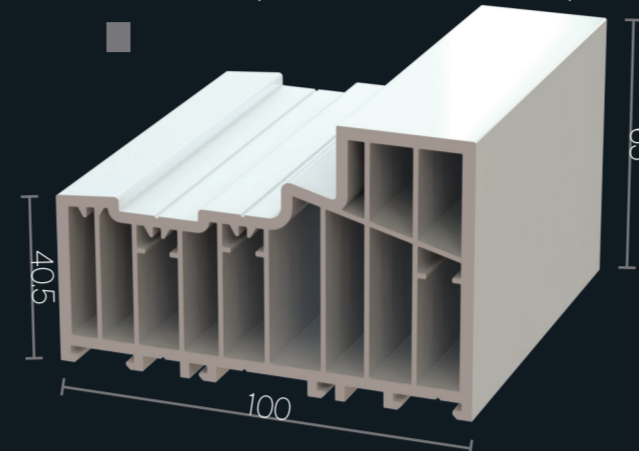
R7002 (Residence 7 Frame)



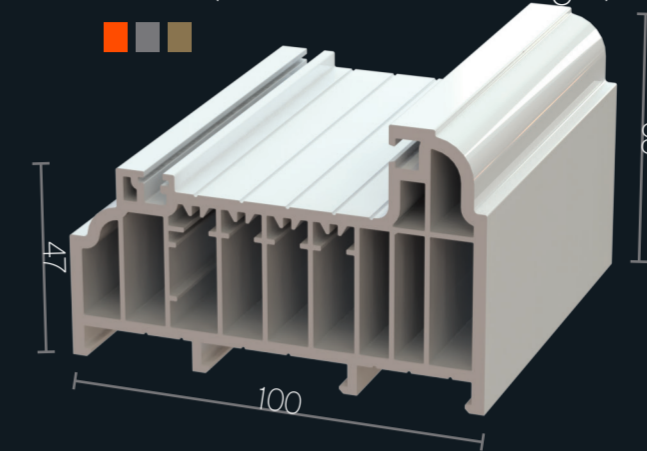
R002 (Residence 9 Frame)



RS002 (Residence<sup>2</sup> Frame)

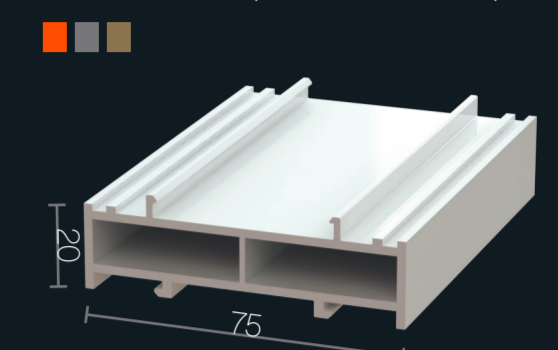


R010 (Door Frame/Fixed Light)



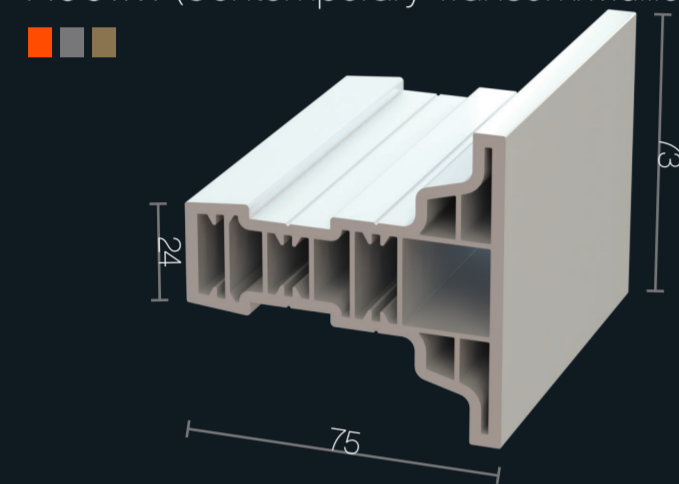
## Frame Add-on

20MMAO (20mm Add-on)

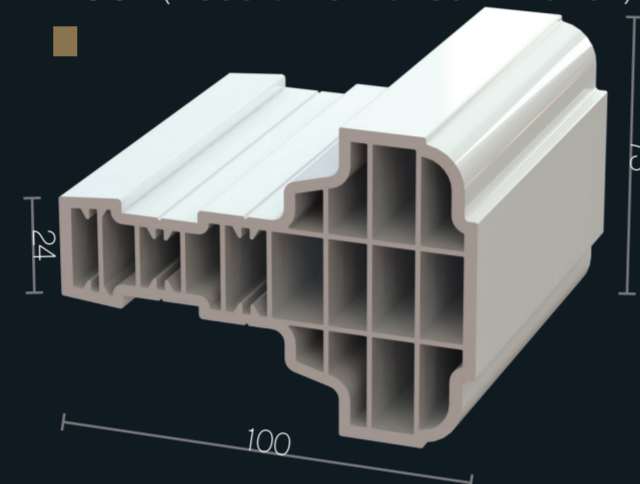


## Mullions

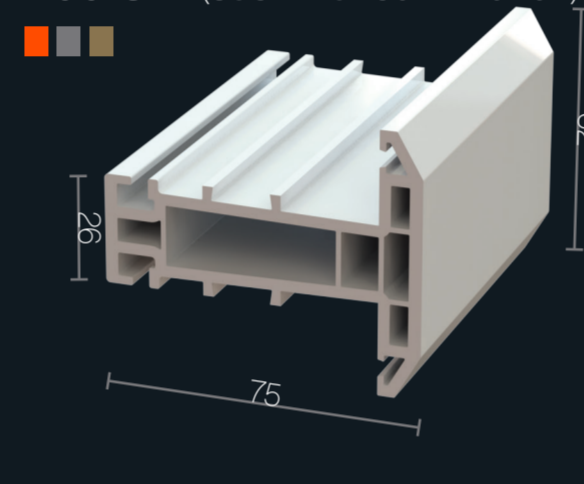
R001M (Contemporary Transom/Mullion)



R001 (Decorative Transom/Mullion)



R001SM (Sash Transom/Mullion)

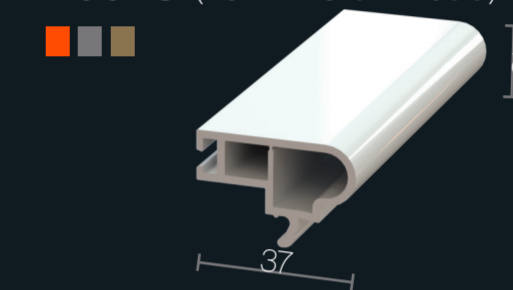


## Beads

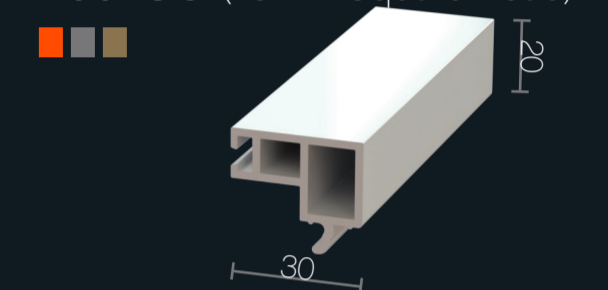
R004 (28mm Decorative Bead)



R004S (28mm Staff Bead)



R004SQ (28mm Square Bead)



R005 (44mm Decorative Bead)

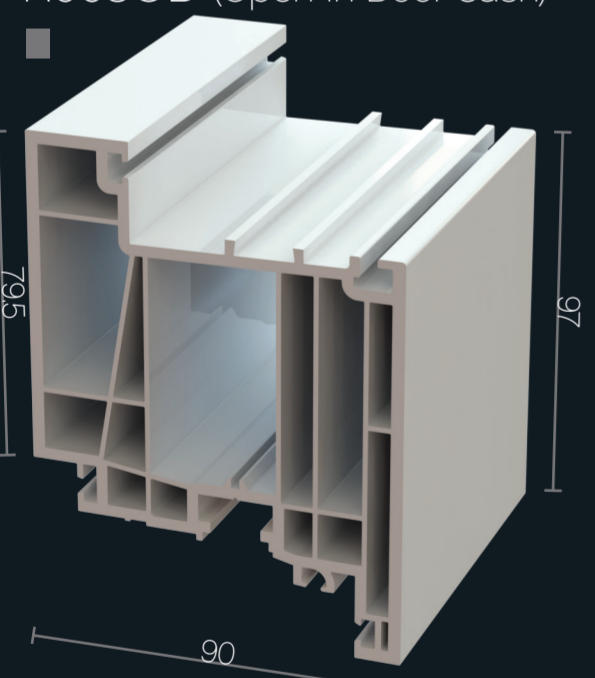


R005SQ (44mm Square Bead)

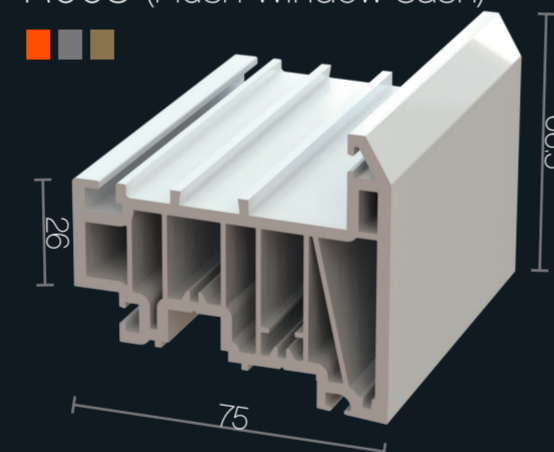


## Sashes

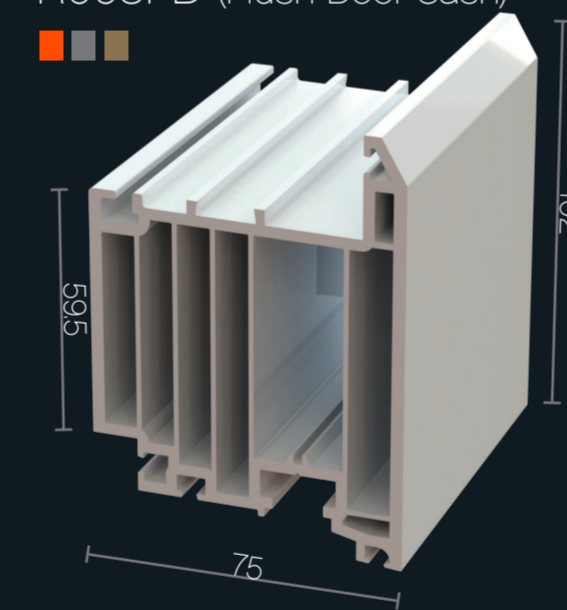
R003OD (Open-In Door Sash)



R003 (Flush Window Sash)



R003FD (Flush Door Sash)



## Gaskets

R401 (Use with all Sashes and Beads)

R403 (Use with Mechanical Joints)

R409 (Use with all Sashes)

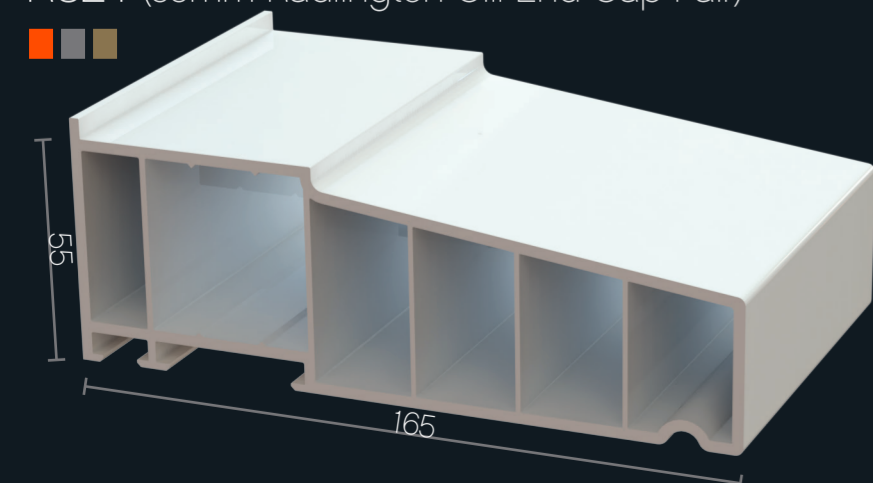
R410 (Moulded Corner)

R408 (Use with R010, R118)

## Cills

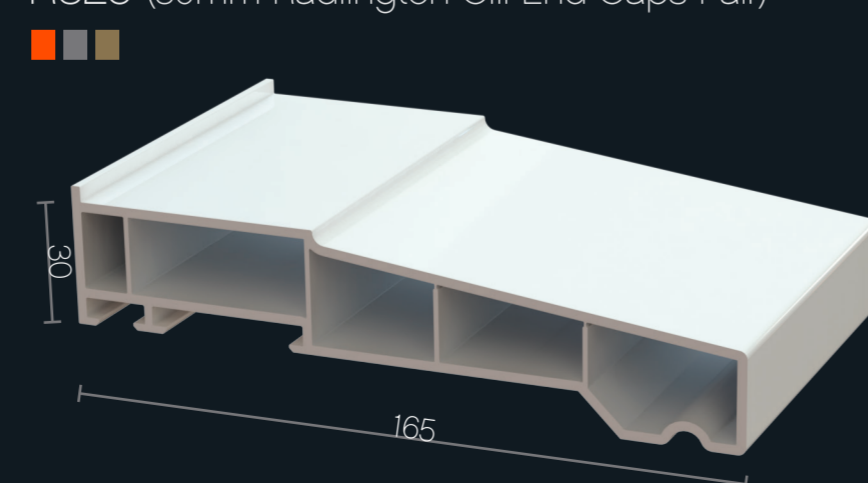
R009 (55mm Radlington Cill)

R324 (55mm Radlington Cill End Cap Pair)



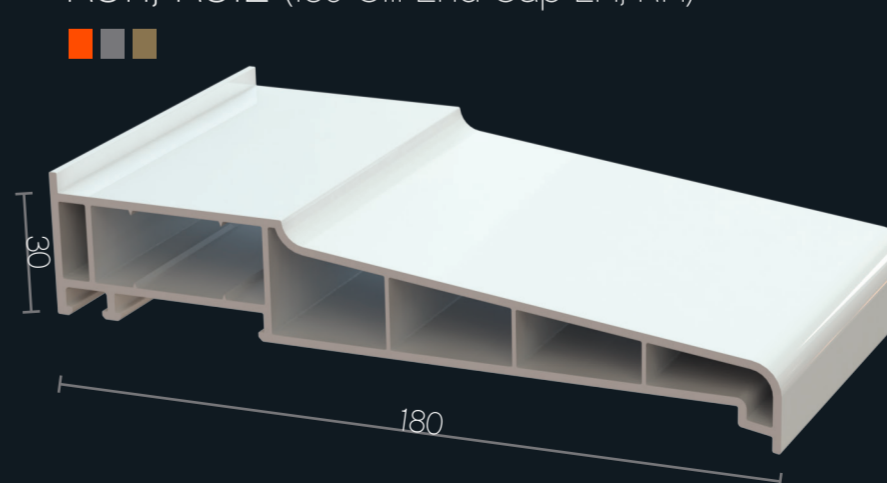
R009M (30mm Radlington Cill)

R325 (30mm Radlington Cill End Caps Pair)



R007 (180 Cill)

R311, R312 (180 Cill End Cap LH, RH)



R008 (95 Stub Cill)

R317, R318 (95 Stub Cill End Cap LH, RH)

