



Iceni Windows, 46 Stepfield Rd, Witham, Essex  
01376 519279 - orders@iceniwindows.co.uk

Invoice name and address

Tel: \_\_\_\_\_  
Email: \_\_\_\_\_

Deliver to:  Invoice address  Site  Collection

page \_\_\_\_\_ of \_\_\_\_\_

Please select a delivery option. We can't guarantee delivery will be on the same day if site addresses are advised after we have confirmed the delivery date.

Delivery address: \_\_\_\_\_

Reference: \_\_\_\_\_  
Date: \_\_\_\_\_  
Date required: \_\_\_\_\_

## ALUK PATIO DOOR (DUAL-TRACK LIFT & SLIDE) 94MM ALUMINIUM

[WWW.ICENIWINDOWS.CO.UK](http://WWW.ICENIWINDOWS.CO.UK)

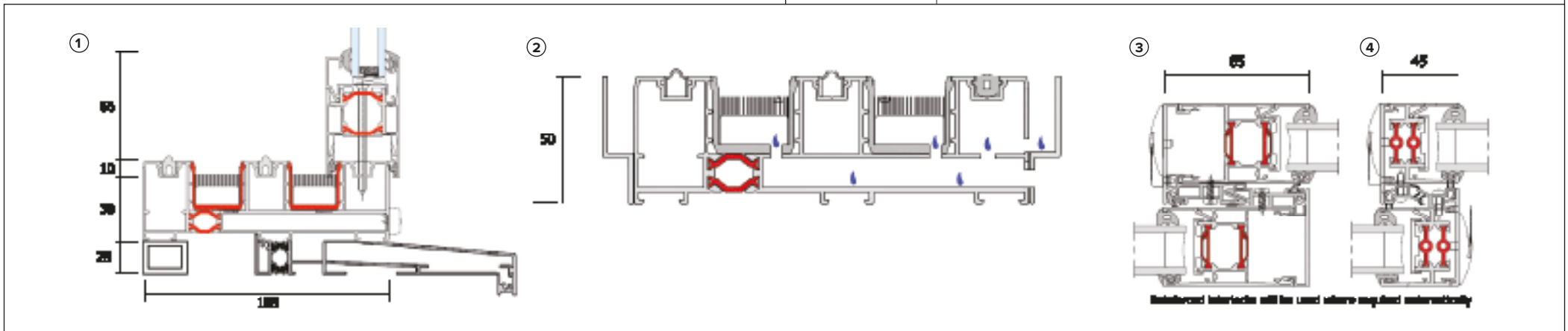
Sliding door     $\leftrightarrow$  Direction of door    Viewed From Outside     Tick to select

201     202     203     401

Glazing	Frame and sash colour	Bead type	Gasket colour	Handle colour
<input type="checkbox"/> Glazed <input type="checkbox"/> Unglazed <b>28mm Double</b>	<input type="checkbox"/> White 9910HG <input type="checkbox"/> Anthracite 7016M <input type="checkbox"/> White inside <input type="checkbox"/> Black 9005M <input type="checkbox"/> White inside <input type="checkbox"/> RAL <input type="checkbox"/> White inside	<input type="checkbox"/> Bevel	<input type="checkbox"/> Black	<input type="checkbox"/> Satin <input type="checkbox"/> White

ITEM NO.	OVERALL SIZE inc sill, etc		QTY	Total sill length	SILL TYPE		DRAINAGE		Add-on 20			Trickle vent in head (20mm ext to head)
	WIDTH	HEIGHT			none	190	FACE	Top	Left	Right		
1					<input type="radio"/>	177	Base	<input type="radio"/>				<input type="checkbox"/> Qty:

Main handle	Cylinder	Threshold	Interlock	Glazing
<b>Locking D</b> <input type="checkbox"/> S.Less handle <input type="checkbox"/> S.Less hdl & pull	<b>Security</b> <input type="checkbox"/> Thumbturn (master door sash only)	<b>Standard threshold ①</b> <input type="checkbox"/> Flush / Infinity threshold ②	<b>85mm ③</b> <input type="checkbox"/> 45mm ④	<b>Clear</b> <input type="checkbox"/> Add 1 sheet of laminate to each door
<b>Assembly:</b>		<input checked="" type="checkbox"/> Sash & frame fully assembled <input type="checkbox"/> Sash assembled, frame broken down		



**WARNING:**  
Orders will be processed and automatically manufactured after **24 hours**  
**ALL BOLD** options are processed automatically

Frame construction will be of AluK BSC94 aluminium profiles, mitred joints, internally glazed with wedges gasket. Locks: 4 hook, security cylinder. Fab & Fix furniture. Max sash size: 1250w for 2250h, 1000w for 2400h, 750w for 2600h, or maximum of 400kg. Finish: HG – high gloss; M – matt. Glazing beads: As standard 28mm only. **Double glazed glass** = Total+ / Low Iron / Thermo Bar. Triple glazed = 2 x Total+ / Low Iron / Thermo.

**Important:** Before ordering please ensure that you are familiar with our products and specifications. We will not accept responsibility for want of knowledge in the event that items do not meet with your requirements. By ordering these products you are acknowledging our standard terms and conditions of sale.

\_\_\_\_\_

\_\_\_\_\_

\_\_\_\_\_