

Iceni Windows, 46 Stepfield Rd, Witham, Essex
01376 519279 - orders@iceniwindows.co.uk

Invoice name and address

Tel:
Email:

Deliver to: Invoice address Site Collection

page of

Please select a delivery option. We can't guarantee delivery will be on the same day if site addresses are advised after we have confirmed the delivery date.

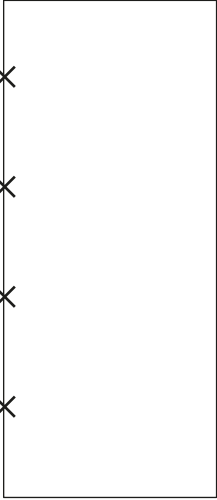
Delivery address:

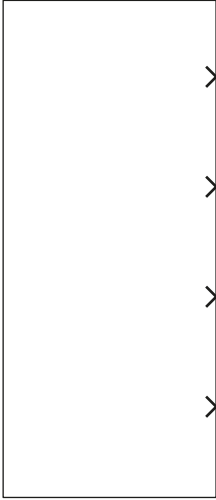
Reference:
Date:
Date required:

ALUK RESIDENTIAL DOOR (BIFOLD PROFILE) 70MM ALUMINIUM

[WWW.ICENIWINDOWS.CO.UK](http://www.iceniwindows.co.uk)

Hinge Viewed From Outside Tick to select

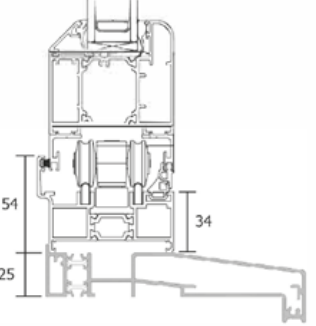
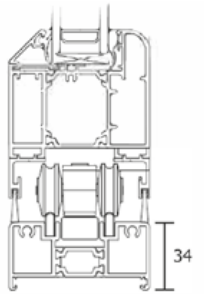
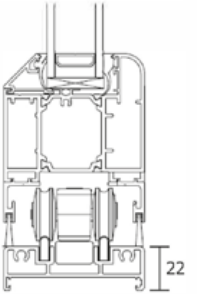
101
Hung / hinges left


102
Hung / hinges right


Glazing	Colour	Bead type	Gasket colour	Main handle colour
Glazed <input type="checkbox"/> Unglazed 28mm Double <input type="checkbox"/> 40mm Triple	<input type="checkbox"/> White 9910HG <input type="checkbox"/> Anthracite 7016M <input type="checkbox"/> White inside <input type="checkbox"/> Black 9005M <input type="checkbox"/> White inside <input type="checkbox"/> Cream 1013SG <input type="checkbox"/> White inside	Square <input type="checkbox"/> Flat/bevel	Black in & out <input type="checkbox"/> Blk out/coloured in <input type="checkbox"/> Coloured in & out	<input type="checkbox"/> Anthracite grey <input type="checkbox"/> Antique black <input type="checkbox"/> Black <input type="checkbox"/> Bronze <input type="checkbox"/> Chrome <input type="checkbox"/> Copper <input type="checkbox"/> Gold <input type="checkbox"/> Graphite <input type="checkbox"/> Satin <input type="checkbox"/> White

ITEM NO.	OVERALL SIZE inc sill, etc		QTY	Total sill length	SILL TYPE		DRAINAGE		Add-on 20 or 40mm				Trickle vent in head	
	WIDTH	HEIGHT			none	190	FACE	top	bott	left	right			
1					<input type="radio"/>	150	<input type="radio"/>	Base	<input type="radio"/>					<input type="checkbox"/> Qty:

Main handle	Cylinder	Opening	Threshold	Glazing
Lever / Lever <input type="checkbox"/> Blank plate <input type="checkbox"/> Swan lever	<input type="checkbox"/> Thumbturn (master door sash only)	Open out <input type="checkbox"/> Open in	Standard ① <input type="checkbox"/> 34mm Aluminium ② <input type="checkbox"/> 22mm Aluminium ③	Clear (double 1.8 U value. Triple 1.4 U value) <input type="checkbox"/> Add 1 sheet of laminate to each door

① Standard threshold including sill	② 34mm room divider. (Internal use only)	③ 22mm room divider. (Internal use only)
		

Assembly: Sash & frame fully assembled Sash assembled, frame broken down

WARNING:
Orders will be processed and automatically manufactured after **24 hours**
ALL BOLD options are processed automatically

Frame construction will be of AluK BSF70 aluminium profiles, round sash, mitred joints, internally glazed with wedges gasket and butt hinges. Locks: 2 hook, 1 deadbolt, security cylinder. **Fab & Fix furniture**, gasket will be colour matched to the colour of sash section. Black hinges except where white gaskets are used. **Max sash size (mm):** 1200w for 2200h, 1100w for 2400h, 850w for 2600h, 650w for 2800h, 500w for 3000h or 100kg. **Finish:** SG – Semi gloss; HG – high gloss; M – matt. **Glazing beads:** As standard 28mm or 40mm only. **Double glazed glass** = Total+ / Low Iron / Thermo Bar 1.8u. Triple glazed = 2 x Total+ / Low Iron / Thermo Bar 1.4u

Important: Before ordering please ensure that you are familiar with our products and specifications. We will not accept responsibility for want of knowledge in the event that items do not meet with your requirements. By ordering these products you are acknowledging our standard terms and conditions of sale.