

Iceni Windows, 46 Stepfield Rd, Witham, Essex
01376 519279 - orders@iceniwindows.co.uk

Invoice name and address

Tel:
Email:

Deliver to: Invoice address Site Collection

page of

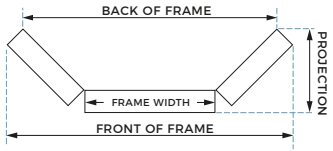
Please select a delivery option. We can't guarantee delivery will be on the same day if site addresses are advised after we have confirmed the delivery date.

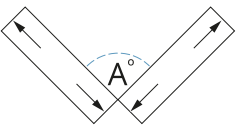
Delivery address:

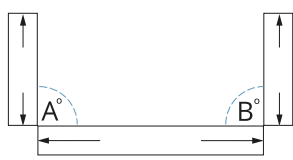
Reference:
Date:
Date required:


RAYA BAY WINDOW 70MM UPVC REHAU

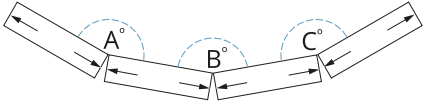
WWW.RAYA-WINDOWS.CO.UK

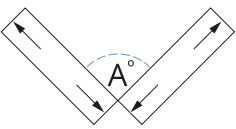


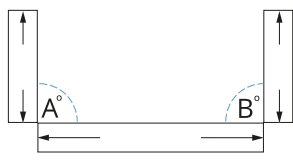
Location:

A°:
<input type="checkbox"/> Bay Jacks <input type="checkbox"/> Reinforce Sill


Location
Back of frame:
Projection: 
<input type="checkbox"/> Bay Jacks <input type="checkbox"/> Reinforce Sill
Front of frame:
A°: B°:

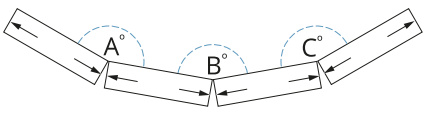
Location
Back of frame:
Projection: 
<input type="checkbox"/> Bay Jacks <input type="checkbox"/> Reinforce Sill
Front of frame:
A°: B°:

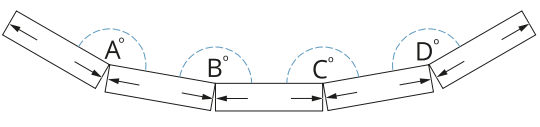
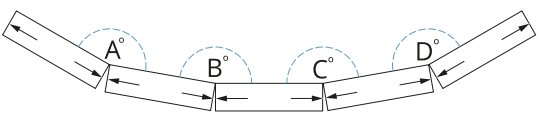
Location
Back of frame:
Projection: 
<input type="checkbox"/> Bay Jacks <input type="checkbox"/> Reinforce Sill
Front of frame:
A°: B°: C°:

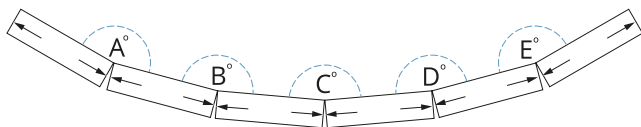
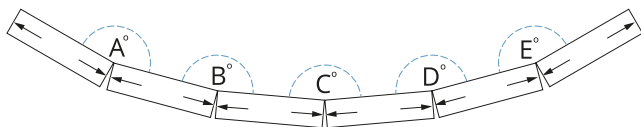
Location:

A°:
<input type="checkbox"/> Bay Jacks <input type="checkbox"/> Reinforce Sill

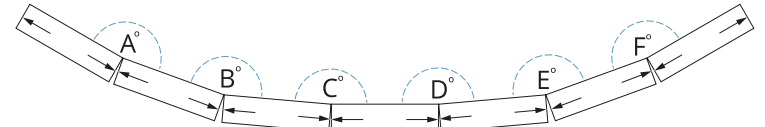
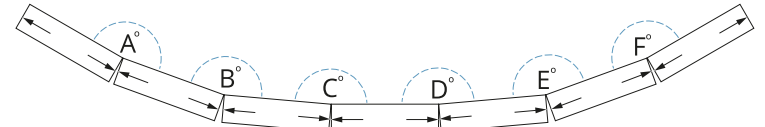
Location
Back of frame:
Projection: 
<input type="checkbox"/> Bay Jacks <input type="checkbox"/> Reinforce Sill
Front of frame:
A°: B°:

Location
Back of frame:
Projection: 
<input type="checkbox"/> Bay Jacks <input type="checkbox"/> Reinforce Sill
Front of frame:
A°: B°:

Location
Back of frame:
Projection: 
<input type="checkbox"/> Bay Jacks <input type="checkbox"/> Reinforce Sill
Front of frame:
A°: B°: C°:

Location
Back of frame: 
Projection: 
<input type="checkbox"/> Bay Jacks <input type="checkbox"/> Reinforce Sill
Front of frame:
A°: B°: C°: D°:

Location
Back of frame: 
Projection: 
<input type="checkbox"/> Bay Jacks <input type="checkbox"/> Reinforce Sill
Front of frame:
A°: B°: C°: D°: E°:

Location
Back of frame: 
Projection: 
<input type="checkbox"/> Bay Jacks <input type="checkbox"/> Reinforce Sill
Front of frame:
A°: B°: C°: D°: E°: F°:

WARNING:

Orders will be processed and automatically manufactured after **24 hours**
ALL BOLD options are processed automatically

Viewed From Outside - Internal sill sizes and angles only - All dimensions in millimetres. Link each bay segment to items on the window and door order forms. Poles will be supplied at the actual window height unless otherwise specified.

We will automatically use fixed kites where possible, bow kites will be applied to bow bays (Front of frame measurements). No sills will be reinforced unless requested.

Pole angle restrictions:

*Bayjack available			
Bow kite	155-175	Small Edge variable	125-170*
135 kite	133-137*	Large Edge variable	90-125*
150 kite	148-152*	Edge cornerpost	88-92*

Important: Before ordering please ensure that you are familiar with our products and specifications. We will not accept responsibility for want of knowledge in the event that items do not meet with your requirements. By ordering these products you are acknowledging our standard terms and conditions of sale.
