

ICENI
LUNA
ROOFS

www.LUNA-ROOFS.co.uk



ICENI
LUNA

WHAT IS LUNA?

A brand conceived from the belief in ourself.

LUNA is the suite of roof products we manufacture from Ultraframe, Sheerline and Guardian systems.

Why the name?

LUNA is the new high-standard roof brand all others will aspire to.

We believe superior manufacturing elevates our product above all other roof products.

We feel that when you need the best, LUNA will be your premier thought.

The same products, transcending others by simply making them better.



THE DESIRE FOR CHOICE

LUNA products will meet – and exceed – demands of multiple roof applications.

Confidence in our superiorly manufactured products in their performance and quality comes as standard.

THE SOLUTION IS LUNA



ICENI
LUNA
ROOFS

THE REASONS

PAGE 04

ROOFS

THE CLASSIC ROOF

TECHNICAL P10

06

LANTERN ROOFS

14

THE REASONS

LUNA HAS LANDED

Just why are LUNA roof products the perfect choice for your project?

QUALITY AS STANDARD

All our glass is toughened, double-glazed safety glass: 4mm glass – 16mm Argon-filled cavity – 4 mm glass, with black warm edge spacer as standard. It is manufactured in specialist roof glass factories and guaranteed for 10 years.

LIGHT TRANSMISSION

Percentage of light transmitted through the unit. A low % can reduce glare from the sun.

U-VALUE W/m²

How good the material is at preventing heat loss to the outside.

The lower the figure, the more thermally efficient it is.

SOLAR REJECTION

The proportion of the sun's heat that is rejected.

Generally the higher the percentage the better the glass is. However, if you have a North facing or shady site you may specify solar rejection to be lower.

SELF CLEANING

All glass has an easy clean coating and is specially designed to remain cleaner for longer than conventional glass. The transparent coating on the glass harnesses the power of ultra-violet rays from the sun and rain (or water) to break down dirt and grime, then wash it clean away.

UV PROTECTION

The higher the percentage, the lower the possibility of furniture and fabrics fading.

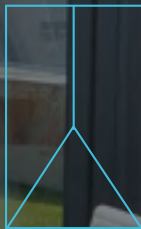
ROOF STYLES

GAZEBO

TOP VIEW



EDWARDIAN



EDWARDIAN DOUBLE HIPPED



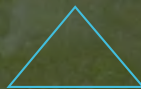
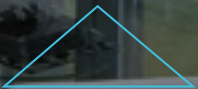
VICTORIAN



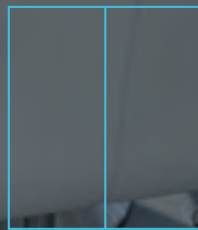
VICTORIAN 5-PART



FRONT ELEVATION



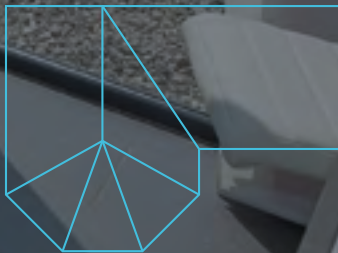
GABLE END



LEAN TO



lean-to/victorian



COMBINATION

lean-to/gable



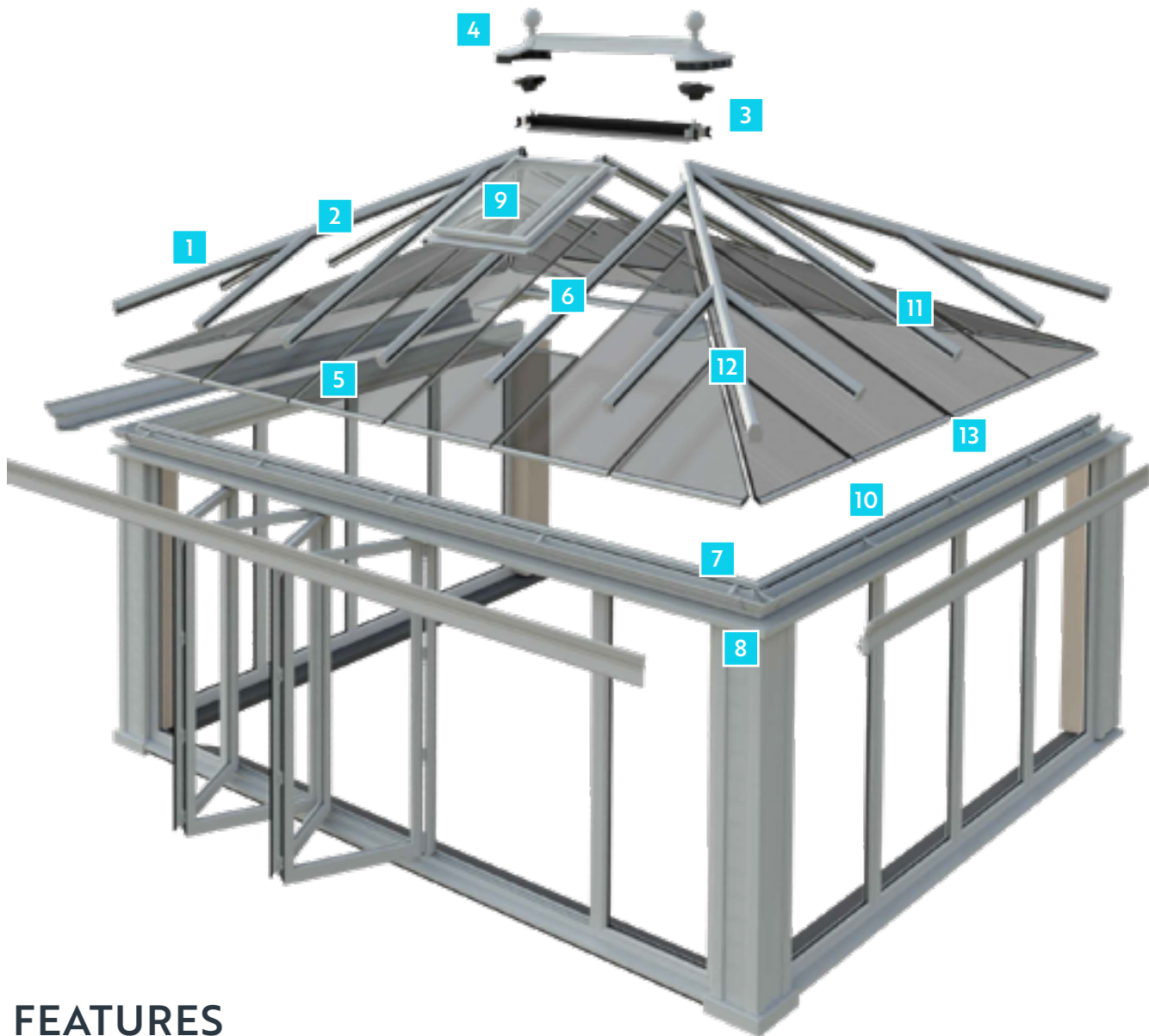
THE CLASSIC ROOF

Stylish conservatories or orangery roofs

FEATURES & BENEFITS

- Click-fit speedlocks and top-caps
- Strong eaves beam, ridge, valley and jack rafter
- 4 unique cornices
- No cutting or drilling on site
- Unique double-skin top caps and adjustable speedlocks optimising glazing bar compression
- Sturdiest, most durable gaskets and glazing stops
- Watertight in winds up to 130mph
- Triple layer storm shield at radius end
- The first roofing system to be approved by BBA
- The only roof engineered to a postcode
- NASA satellite data used to calculate maximum wind and snow load
- Specialist software will engineer every critical element of the roof for optimum deflection, compression and tension
- Low pitch eaves beam and variable ridges for pitches from 2.5 to 40.9°
- Advanced software instantly validates structural requirements of any large shape and complex designs
- Thermally efficient rooms with insulated pelmets
- Made in Britain for over 35 years





FEATURES

1 PROFILE

Strong 'wineglass' bars engineered to withstand extreme weather conditions for your postcode

2 TOP-CAPS

Chambered top-caps provide maximum security and thermal efficiency. Available in any RAL colour (special order).

3 SPEEDLOCK

Patented Speedlock ensures bars are secured and glazing is perfectly aligned

4 WEATHERING HUB

Weathering hub offers ultimate protection from wind and rain

5 GLAZING STOPS

Robust glazing supports prevent glass slippage

6 JACK RAFTERS

Wind resistant jack rafters - tested in 120mph winds

7 CORNICE

Optional cornice hides gutters and adds shape to the roofline. 4 designs available

8 COLUMNS

Optional super-insulated columns

9 ROOF VENT

Slimline aluminium roof vent

10 EAVES BEAM

Optional super duty eaves beam for larger spans

11 ANCHOR CLIPS

Anchor clips control natural movement for a weathertight seal

12 TWINBOLTS

Twinbolts deliver super-strong structural joints

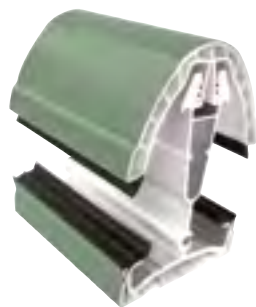
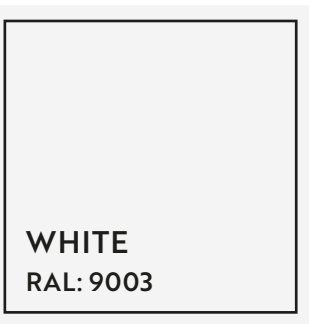
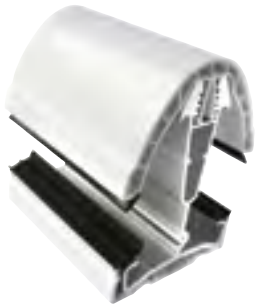
13 INTERNAL PELMET

Optional internal pelmet insulates the eaves - a useful place for spotlights or speakers

CLASSIC CONSERVATORY ROOF COLOURS

CLASSIC ROOF COLOUR

Please note, all RAL equivalents are their nearest match and must only be used as a guide



*Sage green does not have a close enough match for a RAL colour to reproduced faithfully enough. The nearest colour in any paint system is the BSI paint colour BS14C35

Please note: Due to variables in the printing process and disparity in screen colour displays, these colours are intended to be used as a guide only.

DECORATIVE CORNICE OPTIONS

One, two or three tier flat cornices finish the structure and hide the gutters



TWO-TIER CURVED
SAGE GREEN



ONE TIER



TWO TIER



THREE TIER



TWO TIER CURVED

ROOF COLOURS

TECHNICAL AREA:

CLASSIC ROOF PARTS



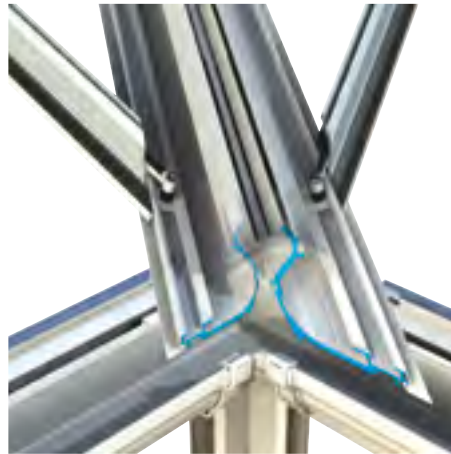
HUB

Weathering hub offers ultimate protection from wind and rain



GLAZING STOPS

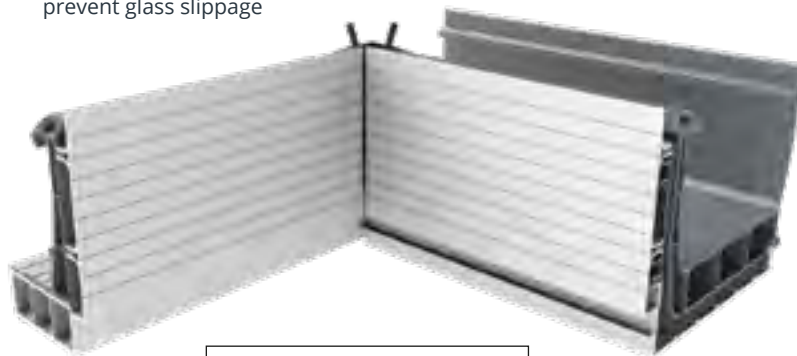
Robust glazing supports prevent glass slippage



VALLEY



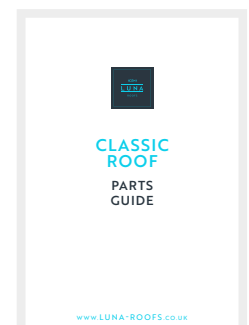
VALLEY AT THE RIDGE



CHAMBERED GUTTER

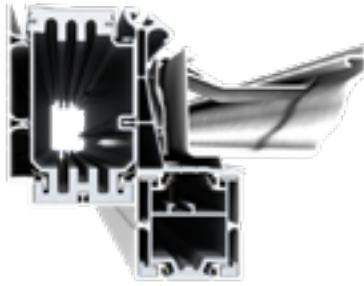
CANT SEE A PART?

Check the full guide online:





EAVES



COMBINED BOLSTER



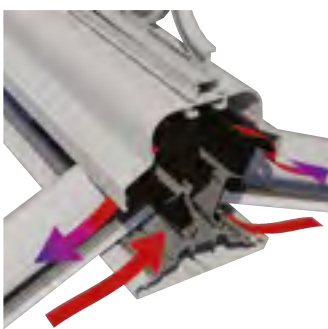
BIFOLD SUPPORT BEAM



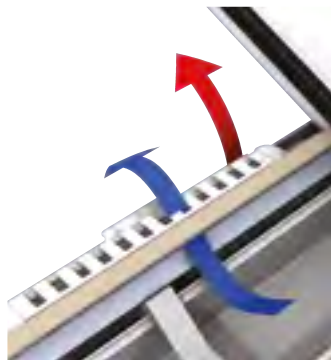
SLIMLINE RIDGE



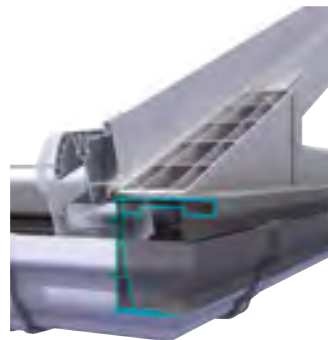
PORTAL BEAM, BIFOLD SUPPORT



RIDGE AIRFLOW



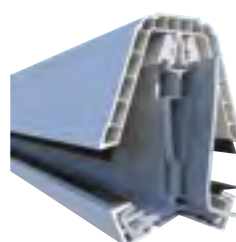
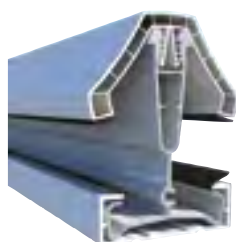
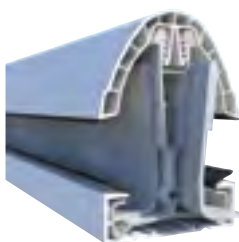
EAVES AIRFLOW



GABLE BAR

LOOKING FOR A SIZE OR SPECIFIC ANGLE?

[DOWNLOAD THE TECH SPEC:](#)



RIDGE/ TOP-CAPS:

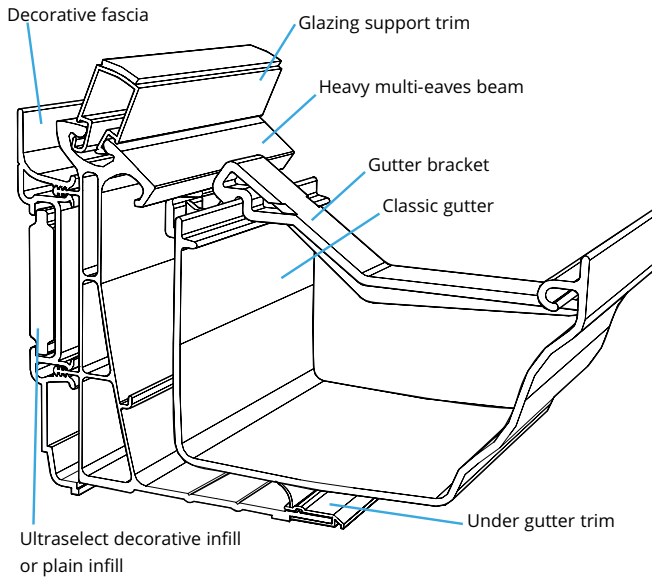
Chambered top-caps provide maximum security and thermal efficiency. Available in any RAL colour



CLASSIC ROOF ESSENTIAL PARTS

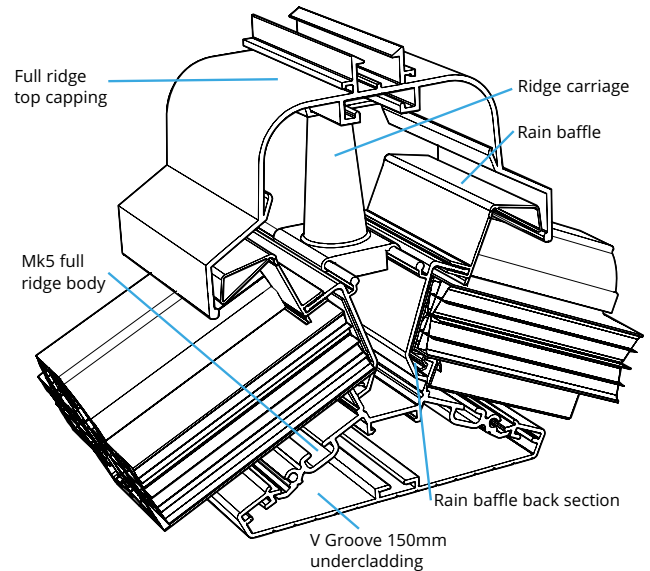
EAVES

The starting point for any roof system, attaching to the top of the side frames



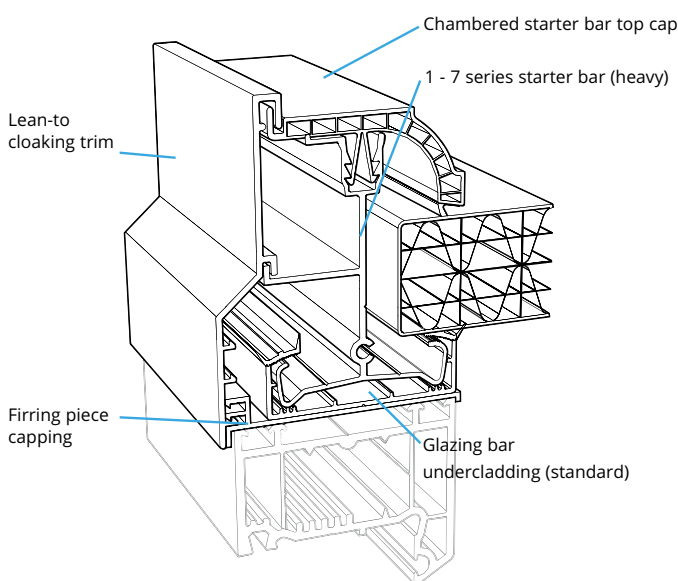
RIDGE

The lynch pin of the roof system, the ridge takes the initial structural loads



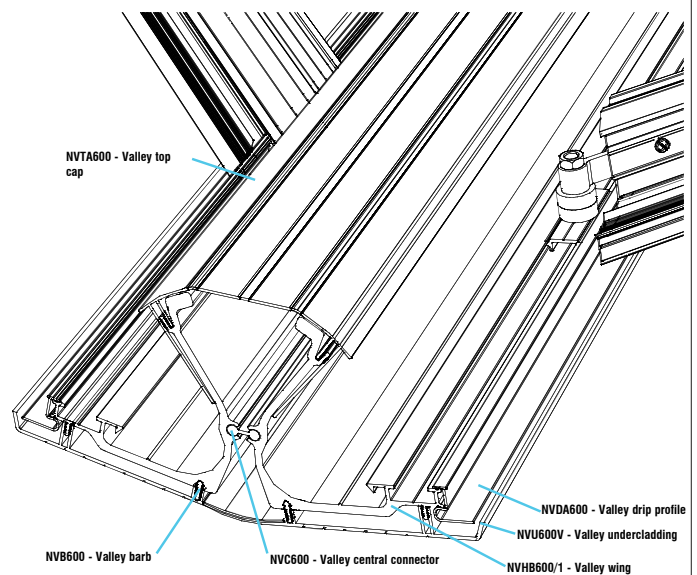
GLAZING BARS

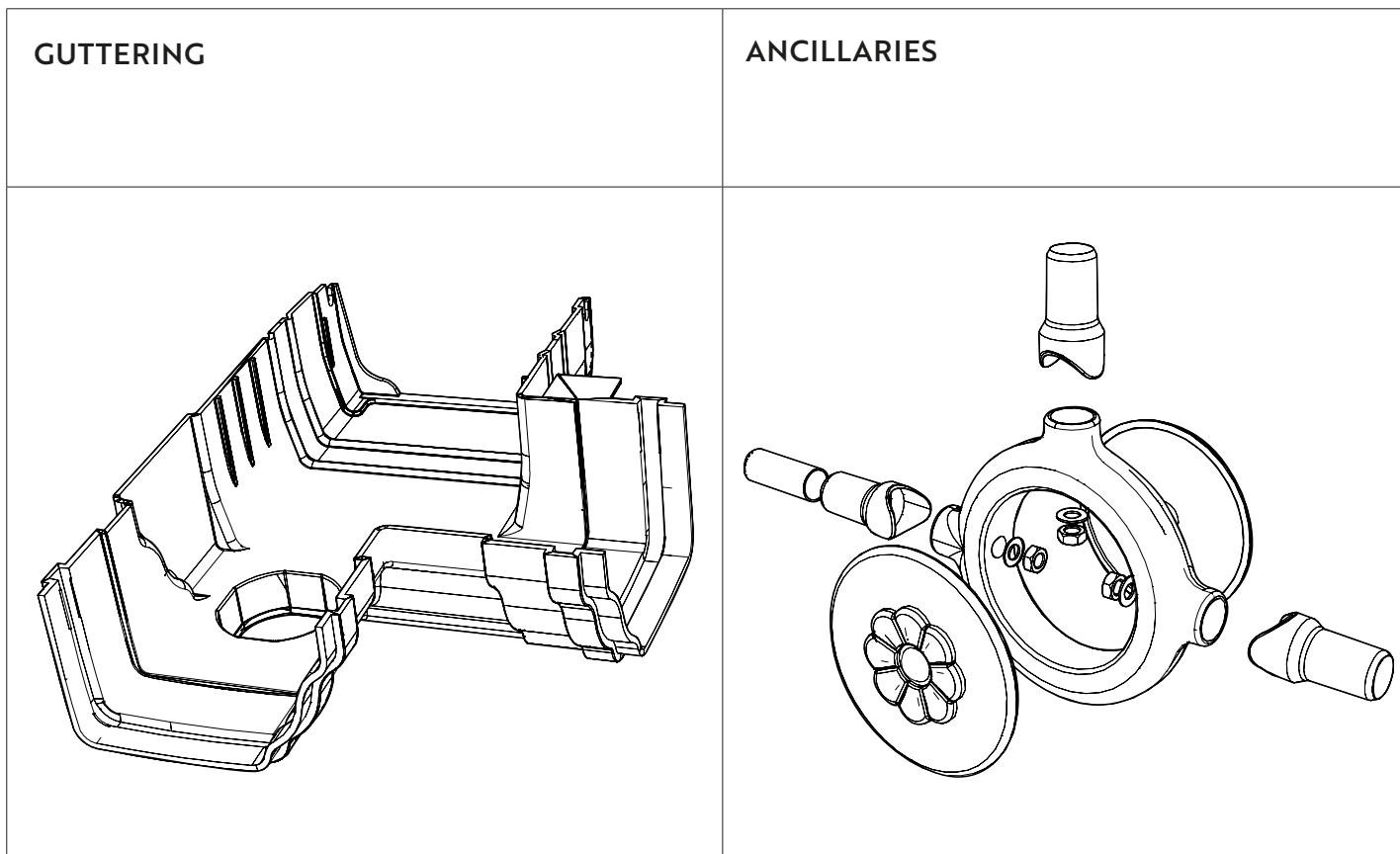
Glazing bars are the members that retain the glazing material and take structural loads down to the eaves



VALLEY

Another structural member that links the ridge to the eaves. It enables more complex roof shapes to be designed



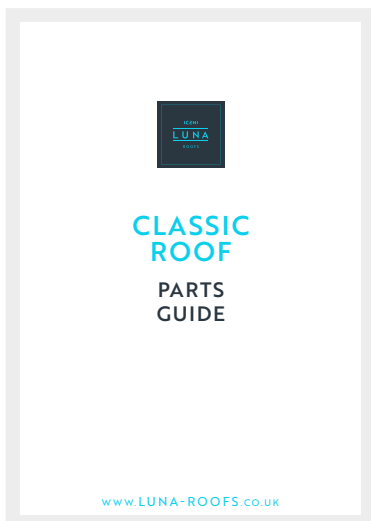


FIND THE TECHNICAL DETAILS IN THESE DOWNLOADS

To keep this brochure concise, we have distilled the finer details into a **PARTS GUIDE** and a **TECHNICAL SPECIFICATION** manual.

NEED A SPECIFIC PART?

Download the parts guide:



ANGLES OR CALCULATIONS?

Download the tech spec:



To View, scan either QR code. Or press either cover if viewing online.

WWW.LUNA-ROOFS.CO.UK/BROCHURES/

1.0
W/(m²K)
U-VALUE
28MM GLAZED
CENTRE PANE*

LANTERN ROOF

High-end, high-performance, highly secure.

Flood your home with light with LUNA ultra-secure, thermally efficient lanterns

LUNA Lanterns are designed to keep heat in and would-be intruders out.

Many innovative ideas have been incorporated to create a warmer, slimmer and more secure roof lantern.

FEATURES

- Thermlock® multi-chamber thermal technology
- Deep internal bars create an ultra strong structure for spans up to 3.2 x 6m without tie bars
- Ultra low line aesthetics
- Anti-tamper screws and enclosed anti-tamper glazing
- Hardwearing powder coated aluminium inside/out
- Security tape, glass lock, and unique high security ridge end
- High performance 28mm glazing
- Co-extruded perimeter seal
- Integral LED light channel around the perimeter of the roof
- Slim, consistent 50mm rafter, hip and ridge sightlines
- Three standard powder coated colours with different internal options
- Maximum sizes up to 3.2m by an impressive 6m long, all set at a 25° pitch and all weather rated for the whole of the UK**.

**Rated for a snow load of 1.2 kN/m². Covering the whole of the UK up to 200m altitude.

*subject to glass specification



SECURE

Innovative construction of the LUNA lantern eliminates the security weaknesses of traditional lantern designs.

Features such as anti-tamper screws, enclosed anti-tamper glazing, security tape and glass lock, alongside a unique high security ridge end, ensure there isn't an easy way to enter your property via your lantern.

28mm glazing also allows acoustic dampening glass to be fitted if required and for extra security, choose laminated glass and upgrade to a Secured by Design (SBD) option.



**Mainstream residential roof lantern - not utilising bonded glass*

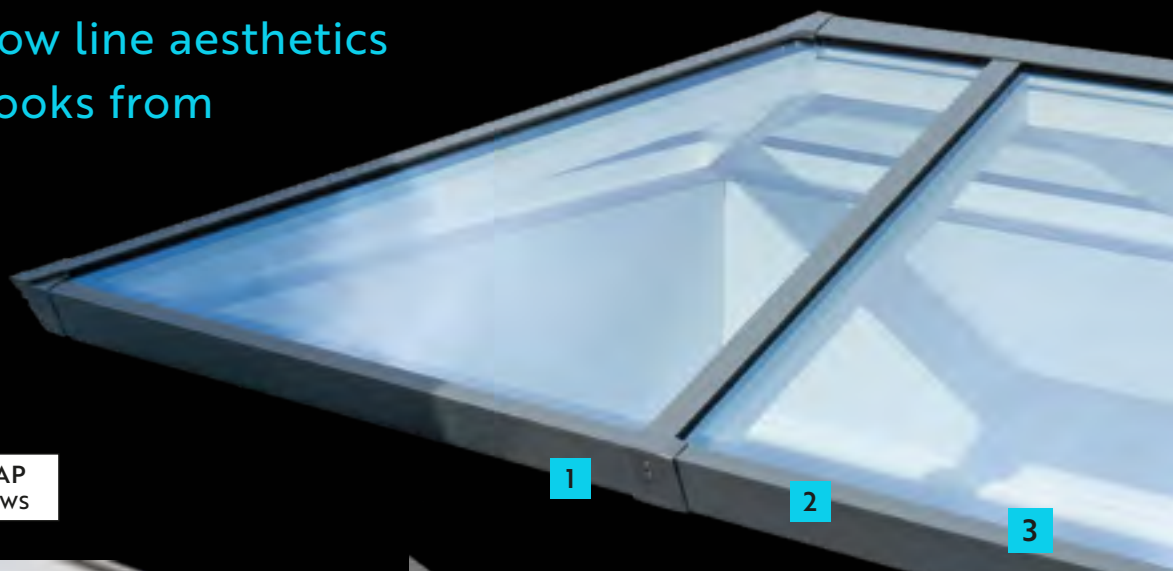


**HIP-END
SECURITY FEATURE**

**ALL OF THESE INNOVATIVE
FEATURES COMBINE TO MAKE THIS THE
UK'S MOST SECURE ALUMINIUM LANTERN ROOF***

ANATOMY OF A LANTERN ROOF

Unique ultra low line aesthetics means great looks from every angle



1

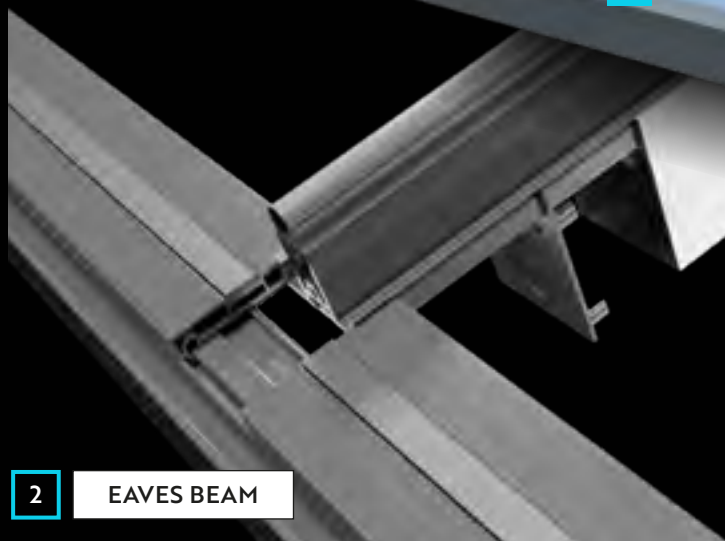
RAFTER END CAP WITH INTERNAL VIEWS

1

2

3

LANTERN SECTIONS

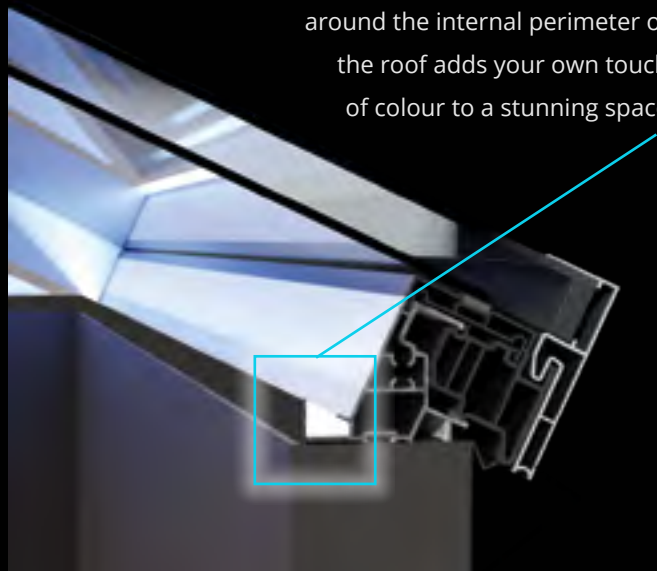


2

EAVES BEAM

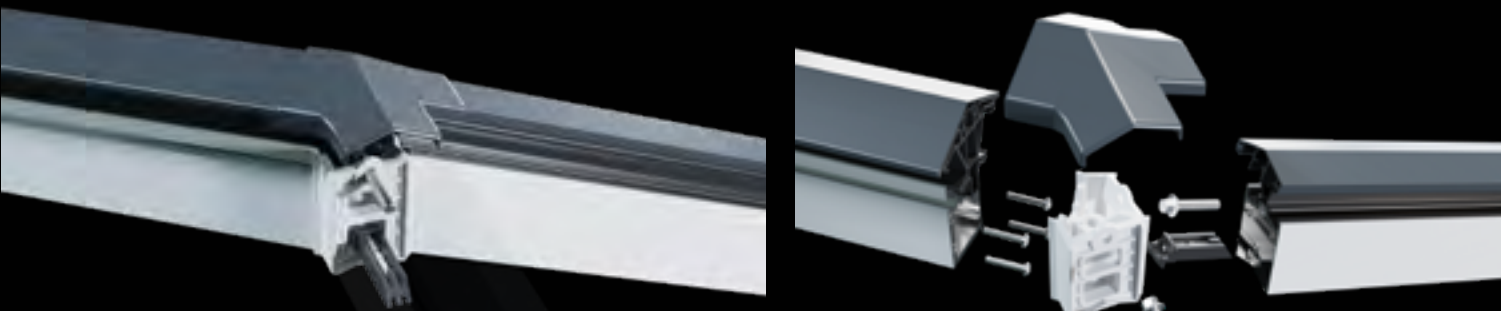
LED CHANNEL

An Integral LED light channel around the internal perimeter of the roof adds your own touch of colour to a stunning space



3

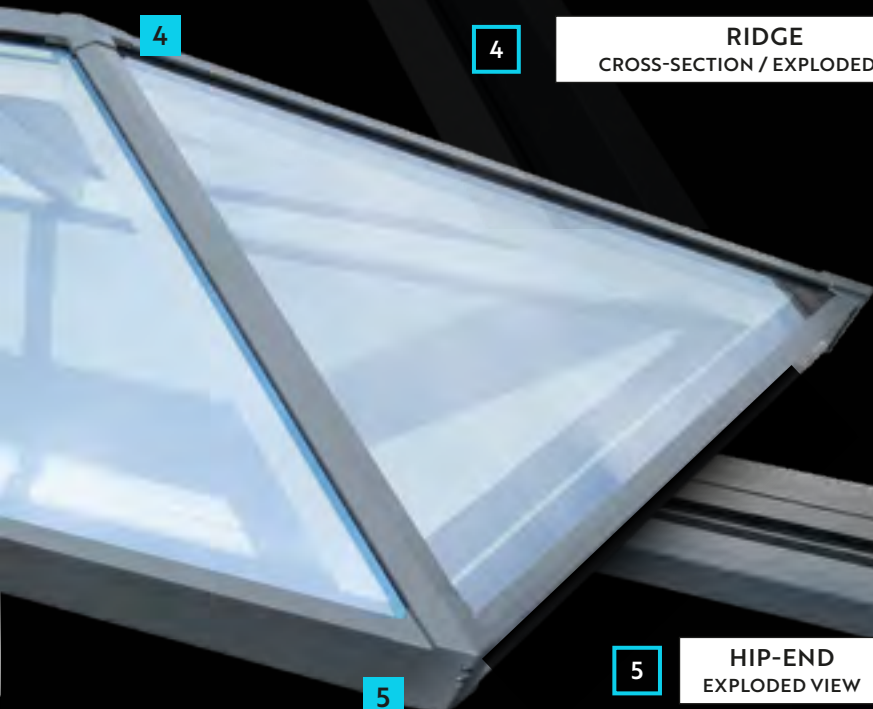
LANTERN GLASS LOCK



4

4

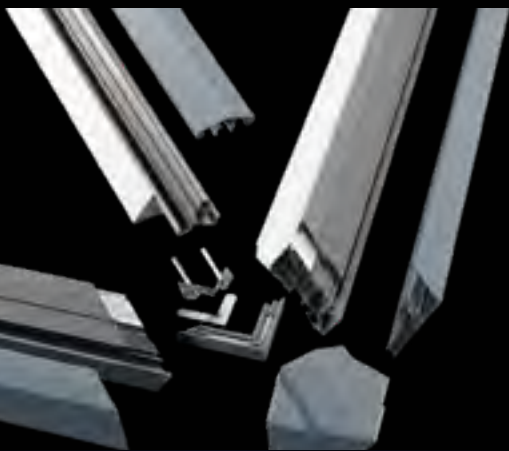
RIDGE
CROSS-SECTION / EXPLODED VIEW



5

5

HIP-END
EXPLODED VIEW

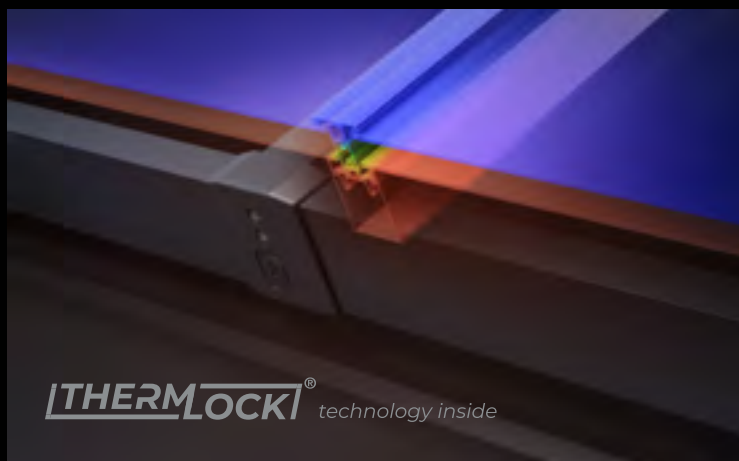
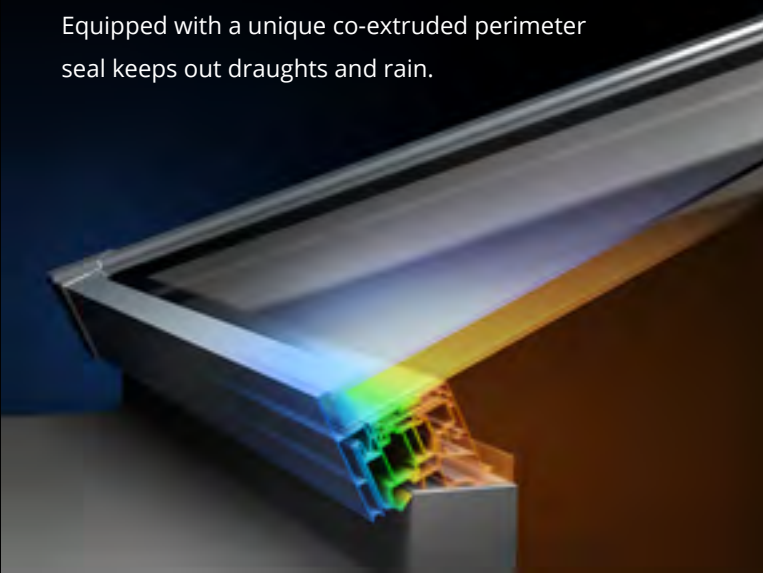
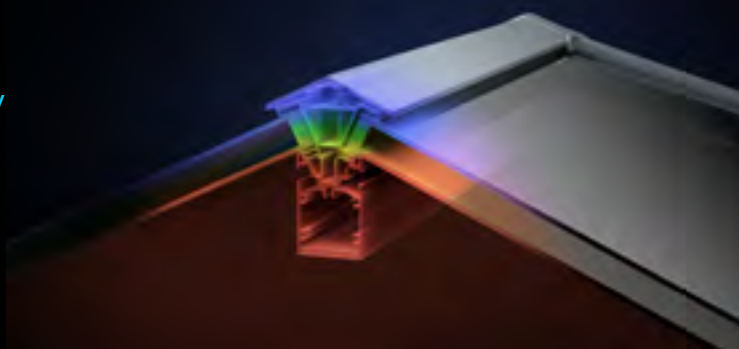


THERMAL INNOVATION

Class-leading thermal performance, from Thermlock® multi-chamber insulating technology

High performance 28mm glazing means our lantern roofs are far superior to traditional polyamide systems.

Equipped with a unique co-extruded perimeter seal keeps out draughts and rain.



THERMLOCKI® technology inside



COLOUR & STYLES



STYLE 4



STYLE 6



STYLE 3

LANTERN STYLES

COLOUR OPTIONS

Three standard colours and an option of dual colour with white internally.





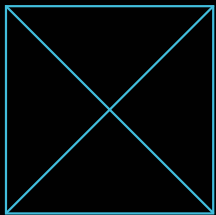
STYLE 2

CONFIGURATIONS

(LENGTH x WIDTH mm)

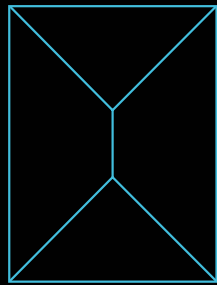
STYLE 1

MIN 600 x 600
MAX 2400 x 2400



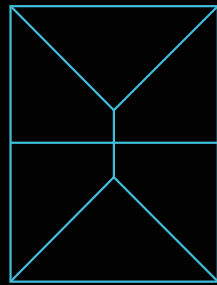
STYLE 2

MIN 800 x 600
MAX 3000 x 2400



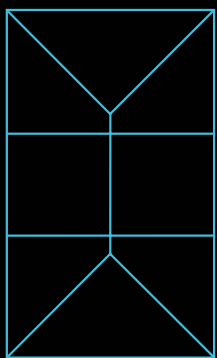
STYLE 3

MIN 1200 x 600
MAX 4000 x 2400



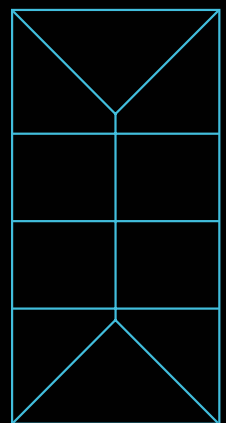
STYLE 4

MIN 2400 x 600
MAX 6000 x 2400



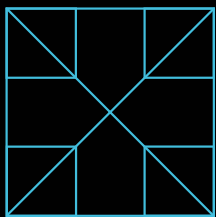
STYLE 5

MIN 3000 x 600
MAX 6000 x 2400



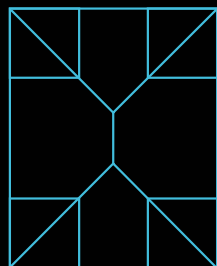
STYLE 6

MIN 1800 x 1800
MAX 3200 x 3200



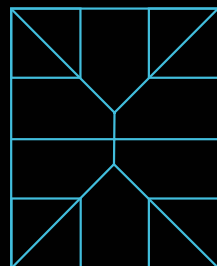
STYLE 7

MIN 2000 x 1800
MAX 3400 x 3200



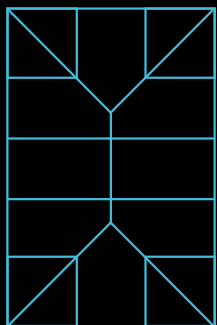
STYLE 8

MIN 2000 x 1800
MAX 4000 x 3200



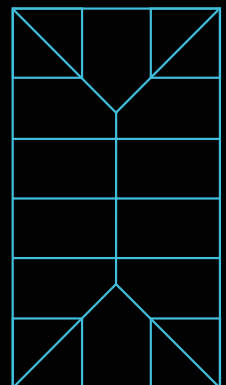
STYLE 9

MIN 3000 x 1800
MAX 6000 x 3200



STYLE 10

MIN 3600 x 1800
MAX 6000 x 3200



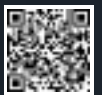
VIEW OUR OTHER PRODUCTS



Scan for all brochures



LUNA ROOFS ARE FABRICATED BY ICENI
FROM ULTRAFRAME & SHEERLINE



Scan to check if this brochure is the most recent

VERSION: 1.0



• THE •
MASTER MANUFACTURERS

www.iceniwindows.co.uk