



ICENI
WINDOWS & DOORS

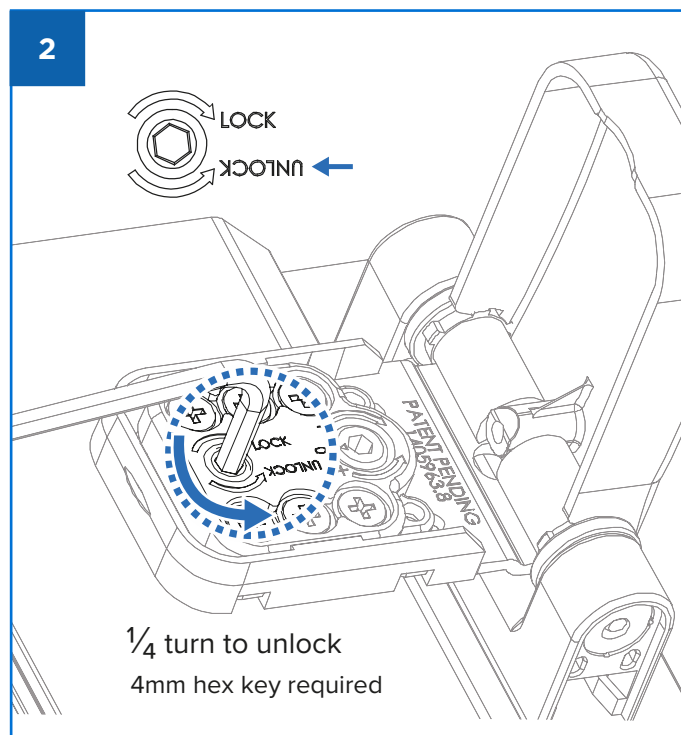
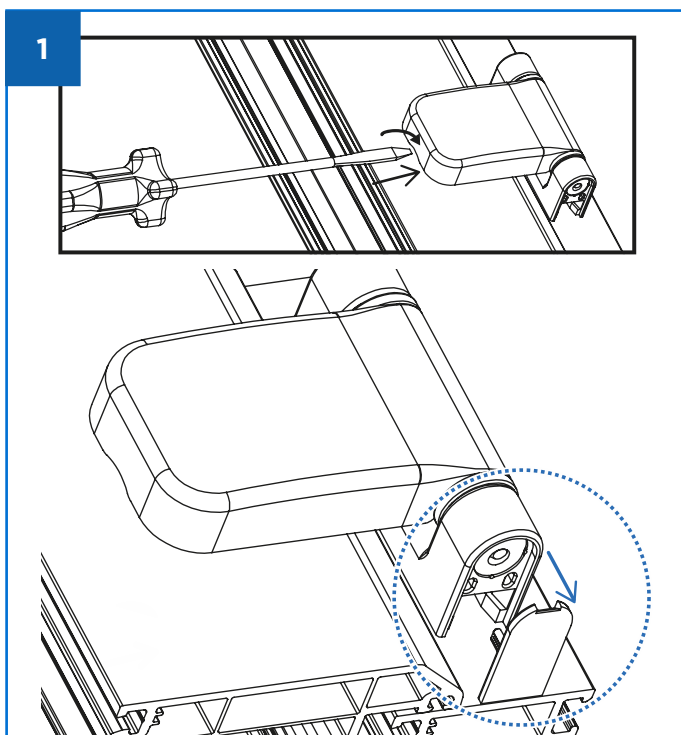
Iceni Installer Guides

MILA PROSECURE HINGE

FITTING AND ADJUSTMENT INSTRUCTIONS



Fitting and adjustment instructions

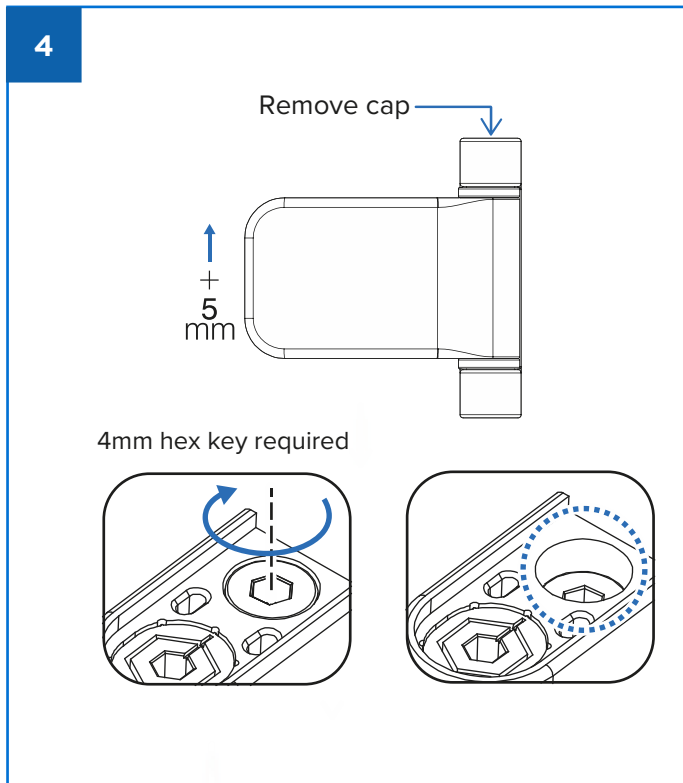
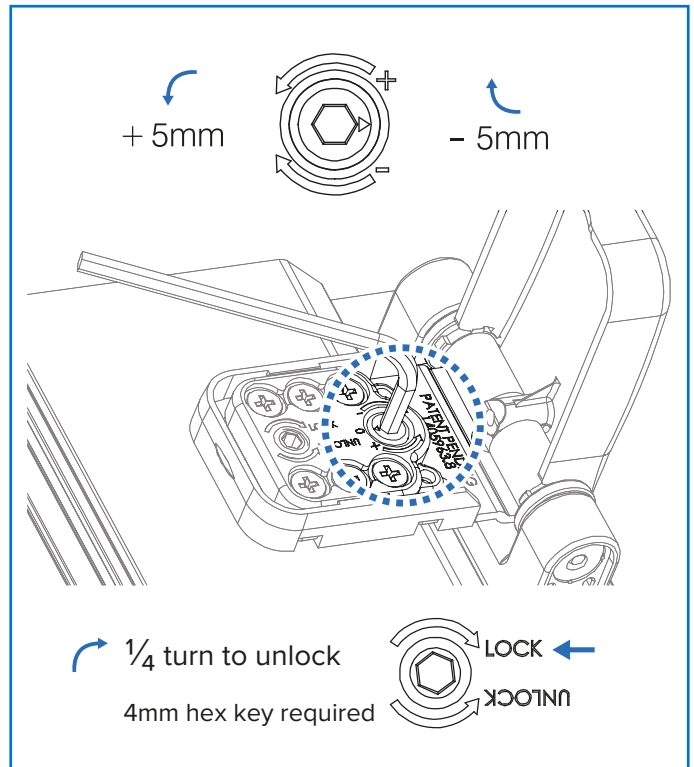


- 1 To release cover remove security screw from under the hinge and then insert 5mm blade screwdriver and twist. Use small blade screw driver to release cover caps.
- 2 To enable adjustment of lateral position, turn the unlock screw a 1/4 turn.

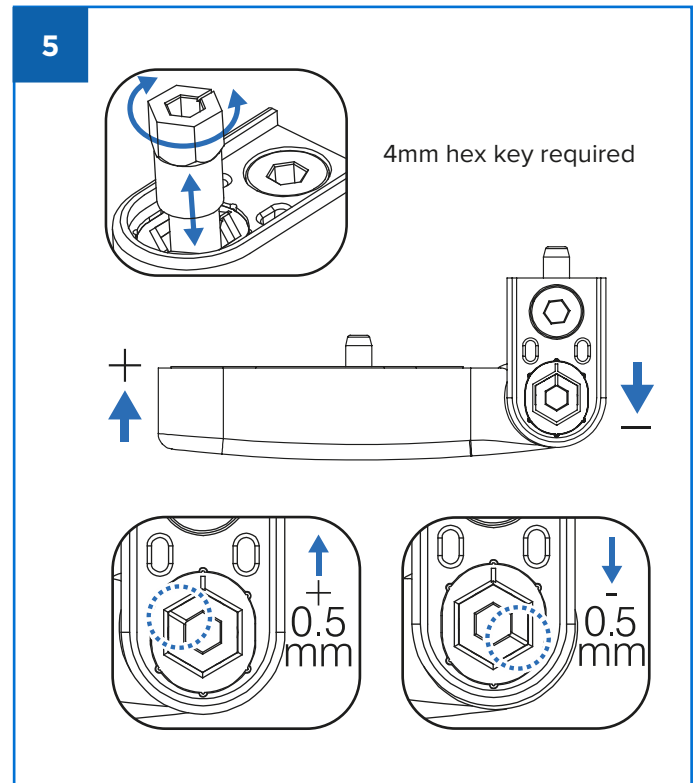




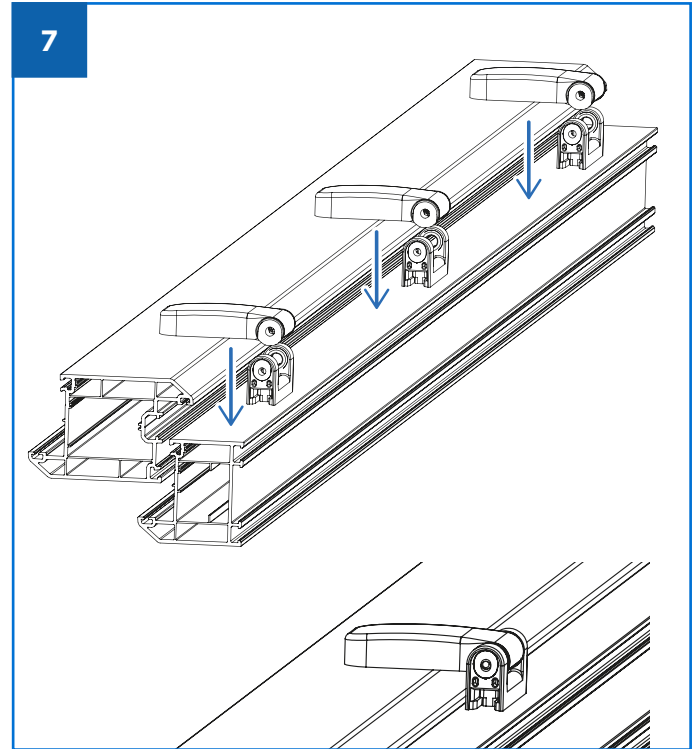
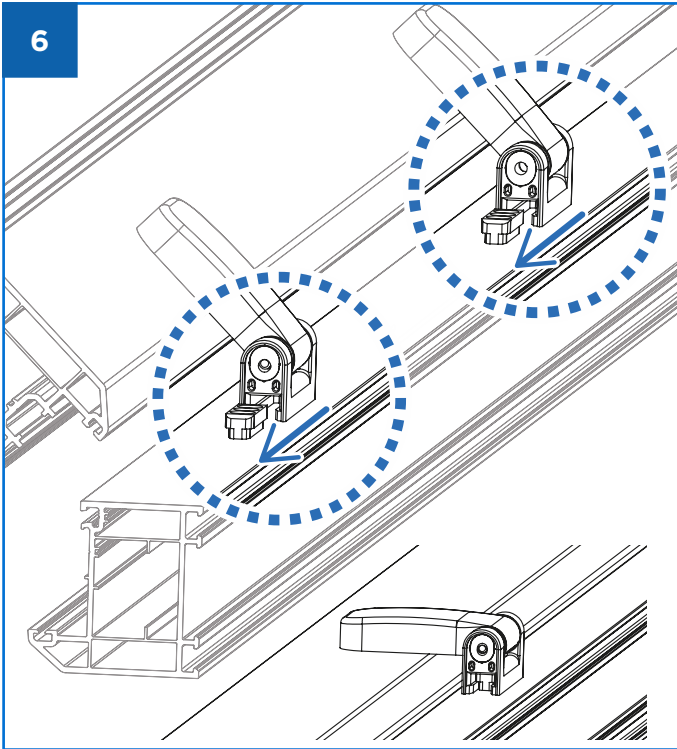
3 Use the screw for lateral adjustment up to 5mm in either direction. Tighten lock screw.



4 Height adjustment: Using a 4mm hex key turn the screw down to lift the hinge by up to 5mm.



5 Compression adjustment: Push out hinge and turn to alter compression pin



6 The sash can be removed and fitted when in an open position by lifting or lowering the sash assembly onto the frame datum.

7 Alternatively the sash can be removed and fitted in the closed position by removing the security screws and hinges pins and then lifting the sash off the frame part.



Iceni Windows Ltd.

46 Stepfield, Witham, Essex, CM8 3TH
01376 519279 sales@iceniwindows.co.uk

www.iceniwindows.co.uk

